

**SPECIFICATIONS  
AND  
BID DOCUMENTS**



**10-WHEELED TANDEM AXLE DUMP TRUCK  
RFP 2023-008**

**DEPARTMENT OF PUBLIC WORKS**

**501 MAIN STREET SOUTH**

**SOUTHBURY, CONNECTICUT**

**APRIL 14, 2023**

## TABLE OF CONTENTS

Title Sheet .....	1
Table of Contents .....	2
Invitation to Bid .....	3
Information for Bidders .....	4
General Conditions .....	7
Code of Ethics/Conflict of Interest Ordinance.....	9
Specifications .....	15
Bid Proposal.....	23
Price Sheet .....	24
Proposal Integrity.....	25
Indemnification Certificate .....	26
Code of Ethics/Conflict of Interest Agreement.....	27
References.....	28
Supporting Documents.....	29

**INVITATION TO BID**  
**10-WHEELED TANDEM AXLE DUMP TRUCK**  
**RFP 2023-008**

The Town of Southbury is seeking bids for one 10-wheeled tandem axle dump truck.

Sealed proposals must be received by 10:30 AM, Monday, May 8, 2023 at the Office of the First Selectman, 501 Main Street South, Southbury, CT 06488, at which time bids will be opened and read aloud in Room 208 of Town Hall.

Specifications and bidding documents may be obtained at the Office of the First Selectman at the above address or electronically on the town's website at [www.southbury-ct.org/bids](http://www.southbury-ct.org/bids).

RFIs (Requests for Information) concerning the project should be emailed to Matthew Tarnowski, Public Works Project Administrator, at [MTarnowski@southbury-ct.gov](mailto:MTarnowski@southbury-ct.gov). RFIs should be received by April 28. RFIs may not be directly responded to. If necessary, an addendum containing RFI responses will be posted to the Town of Southbury's website at the link above by May 3.

The Town of Southbury reserves the right to reject any and all bids in whole or in part or to waive any informality in bidding if it is determined to be in the best interest of the Town of Southbury.

Jeffrey Manville  
First Selectman  
April 14, 2023

## INFORMATION FOR BIDDERS

1. PROPOSAL. Proposals are being sought for providing vehicles to be delivered for use by the Town of Southbury. All work shall be furnished in full accordance with the specifications.
2. RECEIPT AND OPENING OF BIDS. Separate sealed bids shall be received in the **Office of the First Selectman**, 501 Main Street South, Southbury, CT 06488, until the time and date stated in the INVITATION TO BID, and will thereafter be opened and read aloud in Room 208 of Town Hall. All bids shall be submitted in sealed, opaque envelopes clearly labeled with the name of the bidder, his address, and the words **“Bid Documents, RFP 2023-008 – 10-Wheeled Tandem Axle Dump Truck”** so as to guard against opening prior to the time set therefore. **One original and two copies** of all bids shall be submitted. Bids may be forwarded by mail. If mailed, the sealed opaque envelope containing the proposal, marked as described above, shall be enclosed in another envelope properly addressed for mailing. The Town may consider informal any bid not prepared and submitted in accordance with the provisions hereof and may waive any informalities in or reject any and all bids. Any bid may be withdrawn prior to the above scheduled time for the opening thereof.
3. PREPARATION OF PROPOSAL. Each bid must be submitted on the prescribed form and all blank spaces for bid prices must be filled, handwritten in ink or type written, in both words and figures. Bid prices shall include **all labor, materials and equipment necessary to complete the work** in accordance with the bid documents.
4. WITHDRAWAL OF BIDS. Bids may be withdrawn personally or on written or telegraphic request dispatched by the bidder in time for delivery in the normal course of business prior to the time fixed for opening, provided that written confirmation of any telegraphic withdrawal over the signature of the bidder is placed in the mail and postmarked prior to the time set for bid opening. Negligence on the part of the bidder in preparing his bid confers no right of withdrawal or modification of his bid after such bid has been opened.
5. FAMILIARITY WITH LAWS, SITE CONDITIONS AND DOCUMENTS. Each bidder is required to be familiar with and to comply with the terms and conditions of the specifications and all other bid documents and with all federal, state and local laws, ordinances or regulations which in any manner relate to the furnishing of the services in accordance with the bid. Each bidder shall thoroughly familiarize himself with all conditions of the bid documents and specifications before preparing his proposal. The submission of a proposal shall be construed as an assurance that such examination has been made and the failure of the bidder to familiarize himself with conditions relating to the specifications shall not in any way relieve any bidder from any obligation in respect to his bid.

6. **TAX EXEMPTION.** The Town of Southbury is exempt from paying tax and, for that reason; the bid price shall not include any tax on the items specified.
7. **QUALIFICATIONS OF BIDDER.** Bidders must be regular full time Contractors in the type of service specified. The Town may make such investigations as it deems necessary to determine the ability of the bidder to perform the work, and the bidder shall furnish to the Town all such information and data for this purpose as the Town may request. The Town reserves the right to reject any bid should the evidence submitted by, or investigation of, such bidder fail to satisfy the Town that such bidder is properly qualified to carry out the obligations of the bid and to complete the project contemplated therein. Conditional bids will not be accepted.
8. **ERRORS, INTERPRETATIONS, AND ADDENDA.** Should a bidder find any omissions, discrepancies or errors in the specifications or other bid documents or should he be in doubt as to the meaning of the specifications or other bid documents, he should immediately notify the Town who may correct, amend or clarify such documents by a written interpretation or addendum. No oral interpretations shall be made to any bidder and no oral statement of the Town shall be effective to modify any of the provisions of the bid documents.
9. **METHOD OF AWARD - LOWEST QUALIFIED BIDDER.** The Town reserves the right to reject any or all bids and may waive any informalities. The bid will be awarded to the responsible bidder submitting the lowest bid complying with all conditions set forth in these bid documents. The delivery or completion date and skill and experience of the bidder shall be factors considered in the awarding of the bid and may result in an award to a vendor other than the bidder quoting the lowest price. In the event that there is a discrepancy between the price written in words and in figures, the price written in words shall govern.
10. **SUBCONTRACTORS.** The bidder is specifically advised that any person, firm or other party to whom it is proposed to award a subcontract under this bid must be acceptable to the Town and that approval of the proposed subcontract award cannot be given by the Town unless and until the successful bidder submits all information and evidence requested by the Town regarding the proposed subcontractor. Although the bidder is not required to attach such information and evidence to his bid, the bidder is hereby advised of this requirement so that appropriate action can be taken to prevent subsequent delay in subcontract awards.
11. **RIGHT OF THE TOWN TO TERMINATE PROJECT.** In the event that any of the provisions of this bid are violated by the Contractor, or by any of his subcontractors, the Town may serve written notice upon the vendor of its intention to terminate the work, such notices to contain the reasons for such intention to terminate the work, and unless within five (5) days after the serving of such notice upon the Contractor, such violation or delay shall cease and satisfactory arrangement of correction be made, the project shall, upon expiration of said five (5) days, cease and terminate. In the event of any such termination, the Town shall immediately serve notice thereof upon the Contractor. In the event of such

termination, the Town may take over the work or any portion thereof, and prosecute the same, by contract or any other method, for the account and at the expense of the Contractor, and the Contractor shall be liable to the Town for any excess cost occasioned by the Town as a result of such termination.

12. PAYMENTS. Invoices shall be furnished to the Director of Public Works or his designee for verification and approval of the amount due the Contractor. Final payment will not be made until final acceptance by the Town of Southbury of all work. The Contractor agrees that he will indemnify and save the Town harmless for all claims growing out of the lawful demands of subcontractors, laborers, suppliers and assignee.

13. PRELIMINARY SCHEDULE.

RFP Release	April 14, 2023
Pre-bid conference	April 26, 2023
RFI Deadline	April 28, 2023
Addendum Release (if necessary)	May 3, 2023
RFP Submission Date	May 8, 2023

14. INTERVIEW OF BIDDERS. The Town may choose to interview any or all bidders for the project after bids have been received to determine their qualifications and experience.

15. COMPLIANCE WITH LAWS. The successful bidder shall comply with all applicable laws, regulations, ordinances, OSHA, codes and orders of the United States, the State of Connecticut, and the Town related to its bid and the performance of the work described in the contract.

16. PRE-BID CONFERENCE. All prospective bidders must report to a pre-bid conference at 11:00AM, Wednesday, April 26, 2023 at the Public Works Yard, 60 Peter Road, Southbury, CT 06488. Please park at the Public Works Office, 66 Peter Road, Southbury, CT 06488. Bidders who do not attend the conference may have their bids rejected.

17. SUPPORTING DOCUMENTS. The documents included after the bid proposal sheet are provided for reference only unless explicitly stated in the specifications, and should not be construed as required components for the vehicle.

18. COORDINATION OF SPECIFICATIONS, PLANS & OTHER PROVISIONS. All work shall conform to the relative provisions of one or more of the following; the Director of Public Works or his designee shall be the sole judge of which governs:

- a. Technical specifications included in this document, page 15-22
- b. Supplemental required specifications, page 29-34
- c. Supplemental optional specifications, page 35-46

The enforcement of the requirements of any special provisions shall not be construed as waiving any of the rights of the Town contained in any of the other provisions of the bid documents. Should a conflict arise between the above-mentioned construction specifications, then they shall prevail in the order in which they are listed above.

## GENERAL CONDITIONS

1. The Director of Public Works or his designee shall be the Contractor's direct contact and periodic conferences will be held to review the status of work progress.
2. The Contractor shall employ only honest and responsible employees, skilled in the tasks assigned to them. The Contractor shall be responsible for all conduct of his employees.
3. All work shall be completed in a thoroughly professional and workmanlike manner in strict accordance with the bid documents.
4. The Town of Southbury reserves the right to establish the order of priority for completion of the various portions of the work and to delete any portion of the work upon notification of the Contractor.
5. The Contractor agrees to indemnify the Town against and save the Town harmless from any and all liability and loss from any claim, suit, or action based upon any alleged injury or death of any person including any employee of the Contractor or subcontractor, and for damage to any property that may occur or that may be alleged to have occurred in the course of the performance of the work, or from failure to guard the same, whether such act or failure to act is by the Contractor or any subcontractor or anyone directly or indirectly employed by any of them or by anyone for whose acts any of them maybe liable, and the Contractor agrees at its own expense to pay all charges for attorneys in connection with the defense against any such claim, and if any judgment should be rendered against the Town in any such action, the Contractor will satisfy and discharge the same without cost or expense to the Town.
6. Before commencing work, the Contractor shall obtain and deliver certificates of insurance to the Director of Public Works or his designee and during the performance of the work, the Contractor shall maintain insurance of the kinds and in at least the amounts specified hereunder in a form satisfactory to the Town; such certificates shall contain a provision that the Town shall be given thirty (30) days advance written notice by registered mail of, modification, change, termination, cancellation, or expiration of coverage. Renewal certificates shall be provided at least 60 days prior to expiration of the policy. With each certificate of insurance the Contractor shall provide an endorsement naming the Town of Southbury as an "Additional Insured". Such endorsement shall include the following language "The Town of Southbury is an additional insured." The cost of such insurance shall be the sole responsibility of the Contractor.
  - a. The Contractor shall maintain the coverage listed below and require each subcontractor employed on the project to maintain the coverage listed below unless the Contractor's insurance covers activities of the subcontractor on the project.
    - i. Worker's Compensation Coverage and Employer's Liability Coverage A at statutory limits in accordance with Connecticut law and Coverage B at limits of \$100,000/\$500,000/\$100,000.

- ii. Broad Form Commercial General Liability including premises and operations, products, completed operations, contractual liability, independent Contractors, and broad form property damage coverage, written on a “per occurrence” basis with minimum combined coverage for bodily injury, personal injury, and property damage liability of \$2,000,000 general annual aggregate, \$1,000,000 per occurrence and \$2,000,000 products/completed operations aggregate.
  - iii. Comprehensive Automobile Liability, covering all vehicles used by the Contractor in the course of work, including owned, non-owned and hired with minimum coverage of \$2,000,000 combined single limit for bodily injury and property damage.
  - iv. Excess Liability with minimum coverage of \$ 2,000,000 in umbrella form.
- b. If a policy written on a “Claims Made” basis is proposed for consideration as a substitute for the required insurance it shall be considered only if the Certificate states that the coverage is “claims made,” the retroactive date is stated and is prior to or coincident with the date of the contract, evidence is provided that the policy is prepaid for a minimum of two years from the completion date of the contract or the Contractor provides an Extended Reporting Period endorsement or Prior Acts Coverage. The Town shall be under no obligation to accept a “Claims Made” policy.
  - c. All coverage is to be provided on a primary noncontributory basis.
  - d. All insurance shall be provided by a company authorized to do business in the State of Connecticut and having an A.M. Best rating of no less than A-VIII.
  - e. The insurer shall agree to waive all rights of subrogation against the Town of Southbury, its officers, officials, and employees for losses arising from work performed by the Contractor for the Town.
  - f. No insurance required or furnished hereunder shall in any way relieve the Contractor of or diminish any of his responsibilities, obligations and liabilities under the contract.



## CODE OF ETHICS/CONFLICT OF INTEREST ORDINANCE

A. DEFINITIONS. The following definitions shall apply to this Ordinance:

- a. Public Official (or Public Office). An elected or appointed official, whether paid or unpaid, full or part-time, of the Town of Southbury. This includes being a member or alternate member of any board, committee, commission or agency that exists in the Town of Southbury government.
- b. Town Employee (or Town Employment). A paid employee, full or part-time, of the Town of Southbury.
- c. Ethics Commission. The Town of Southbury Commission on Ethics as authorized by Section 7-148h of the Connecticut General Statutes.
- d. Conflict of Interest. A conflict of interest shall be deemed to exist if any Public Official or Town Employee has a Direct Interest or an Indirect Interest, in any purchase, contract, transaction, or decision involving his/her office, board, commission, agency or employment.
- e. Direct Interest. An interest of a Public Official or Town Employee or any business, investment, or property in which such Public Official or Town Employee is an owner, member, partner, officer, employee or stockholder or has any other form of participation, that is a Financial Interest or an Adverse Interest in any purchase, contract, transaction or decision involving his or her office, board, committee, commission, agency or employment.
- f. Indirect Interest. An interest of a family member within the fourth degree by blood or marriage or a person engaged in a close business relationship with a Public Official or Town Employee in any purchase, contract, transaction or decision involving the Public Official's or Town Employee's office, board, committee, commission, agency or employment which, if held by the Public Official or Town Employee directly, would meet the definition of a Direct Interest.
- g. Financial Interest. A Financial Interest shall be deemed to exist if a person or entity with a Direct Interest or an Indirect Interest as defined herein might, directly or indirectly, derive pecuniary or financial gain or suffer loss from any Town purchase, contract, transaction, decision or employment.
- h. Adverse Interest. An interest that is adverse to the interests of the Town with respect to the matter under consideration.
- i. Material Conflict of Interest. A conflict of interest shall be deemed to be material where a reasonable person would conclude that a Financial Interest or Adverse Interest:
  - i. Is incompatible, or would to a reasonable person appear to be incompatible, with the proper discharge of official duties; or
  - ii. Would tend to impair, or would to a reasonable person appear to impair, independence of judgment and action in the performance of official duties.

**B. DECLARATION OF POLICY.**

The proper operation of the government of the Town of Southbury requires that Public Officials and Town Employees be independent, impartial and responsible to the people; that governmental decisions and policies be made in the proper channels of the government structure and free from coercive or other improper influence; that Public Officials and Town Employees not use their positions for personal gain; and that the general public have confidence in the integrity of its government.

This Ordinance sets forth standards of ethical conduct to maintain and enhance responsible and effective public service by our Public Officials and Town Employees in the performance of their duties.

In the interest of ensuring that concerns regarding possible conflict of interests are promptly raised, this Ordinance permits a concern that a conflict of interest may exist to be raised by any person, regardless of whether the person would be considered an aggrieved party as that term is interpreted under Connecticut law. Any failure to observe the procedures set forth in this Ordinance shall not, however, afford a basis for an action for damages against the Town, any Town board, committee, commission, agency or employee, or any member of any Town board, committee, commission, or agency, or for challenging a decision, license, permit or other action of a Town Employee, board, committee, commission or agency or member of same by a person who would not, but for the provisions of this Ordinance, have standing to bring such an action.

**C. DISCLOSURE OF CONFLICT.**

Any Public official or Town Employee who has a conflict or potential conflict of interest as defined herein, whether or not such conflict or potential conflict is material, shall disclose the interest causing such conflict or potential conflict in writing to the Board of Selectmen.

Any Public Official or Town Employee who is a member of any Town board, committee, commission or agency who has a conflict or potential conflict of interest as defined herein, whether or not such conflict or potential conflict is material, shall, in addition to the disclosure required by this Ordinance, disclose the interest causing such conflict to such board, committee, commission, or agency and such disclosure shall be recorded in the board's, committee's, commission's or agency's minutes.

**D. DETERMINATION OF MATERIALITY.**

In the event that a disclosure or a claim of a conflict of interest with respect to any Public Official or Town Employee has been made to the Ethics Commission, and the Public Official or Town Employee does not disqualify himself/herself from matters with respect to which the conflict of interest allegedly exists, the Ethics Commission shall promptly inquire into the facts of the matter and determine whether or not a conflict exists and if so, whether it is material.

In the event that a disclosure or a claim or a conflict of interest with respect to any Public Official or Town Employee who is a member of a Town board, committee,

commission or agency has been made to such board, committee, commission, or agency and the member does not disqualify himself/herself from matters with respect to which the conflict of interest allegedly exists, the board, committee, commission or agency shall forthwith determine by a majority of those members present, excluding the member whose interest is in question, whether or not a conflict exists and, if so, whether it is material.

E. DISQUALIFICATION.

If it has been determined that a material conflict of interest exists, the Public Official or Town Employee who has the conflict shall be disqualified from discussing or acting upon any matter encompassed by that conflict of interest, and shall leave the room during any public hearing, discussions or deliberations regarding the matter. Any Public Official or Town Employee may disqualify himself/herself even though the conflict of interest is not material.

F. CLAIM OF CONFLICT.

If a formal written complaint is made to the Ethics Commission that any Public Official or Town Employee has an undisclosed conflict of interest, the Ethics Commission shall record and act upon the claim in accordance with its procedures as outlined in Section J.

G. GIFTS AND FAVORS.

No Public Official or Town Employee shall accept or receive, directly or indirectly, anything of value (whether by rebate, gift, promise, obligation or contract for future reward or compensation or otherwise) for awarding or influencing the award of any decision, permit, license, contract or purchase order by the Town. Anything of value when in the form of a gift shall not be deemed relevant if the actual cost of that item is less than \$25.00.

H. REPRESENTATION.

Without the prior written consent of the Ethics Commission, no Public official or Town Employee shall appear for compensation, except on behalf of the town, before any Town board or agency in which he/she was formerly employed or served as an official at any time within a period of one (1) year after termination of his/her service with the Town.

Without the prior written consent of the Ethics Commission, no current or former Public Official or Town Employee shall represent anyone other than the Town concerning any particular matter in which he/she participated personally and substantially while in municipal service.

No current or former Public Official or Town Employee shall disclose or use confidential information acquired in the course of and by reason of his/her official duties, for personal and/or financial gain for himself/herself or others.

No former Public Official or Town Employee who participated substantially in the negotiation or award of municipal contract or who supervised the negotiation or award of such a contract shall accept employment with a party to the contract other than the Town for a period of one (1) year after such contract is signed.

I. INDEPENDENT CONTRACTORS.

Before hiring any consultant, independent Contractor or other advisor, the Public Official, Town Employee, board, committee, commission or agency that proposes to hire the independent Contractor shall inquire whether the independent Contractor has any conflict of interest as that term is defined in this Ordinance or as defined in any code of ethics or similar code applicable to the independent Contractor. Any such conflict shall be specified in the appropriate Town records (such as minutes of any relevant board, committee, commission, or agency).

Prior to hiring any independent Contractor with a conflict, the Public Official, Town Employee, board, committee, commission or agency proposing to hire the independent Contractor must make a determination that the conflict is not material and/or that despite the conflict, the independent Contractor should be hired. The decision and the reasons therefore must be a matter of public record.

No consultant, independent Contractor or other advisor of the Town shall represent a private interest in any action or proceeding against the interest of the Town which is in conflict with the performance of his/her duties as such consultant, independent Contractor or advisor. No consultant, independent Contractor or advisor may represent anyone other than the Town concerning any matter in which he/she participated personally and substantially as a consultant to the Town. Neither shall such consultant, independent Contractor or advisor disclose confidential information acquired while performing his/her duties for the Town, nor shall he/she use such information for the personal and/or financial interests of himself/herself or others.

J. PROCEDURE.

All claims pertaining to a violation of this Ordinance shall be made, in writing, to the Ethics Commission in accordance with the rules and regulations promulgated by that Commission which shall be found in the Town of Southbury Ethics Commission Statement of Procedures. These rules shall require the Complainant to specify the facts that gave rise to his/her claim and the specific provision of this Ordinance that has been breached on a Form provided by the Ethics Commission. The Ethics Commission may, but is not required to consider claims made against individuals who are former Public Officials or Town Employees. Any allegations and any information learned, supplied to or received from or by the Ethics Commission shall remain confidential until a finding of Probable Cause is determined by the Ethics Commission.

The Ethics Commission is authorized to issue advisory opinions at its discretion.

K. PENALTIES.

Any person who violates any of the provisions of this Ordinance may be censured or reprimanded or may be suspended or removed from Public Office or Town Employment, as the case may be, in the manner provided by law as recommended by the Ethics Commission with action by the Board of Selectman.

Any violation of this Ordinance shall render any purchase, contract, or transaction or any part thereof affected thereby voidable as recommended by the Ethics Commission with action by the Board of Selectmen.

Any violation of this Ordinance with respect to any decision of a board, committee, commission or agency shall be subject to any remedies deemed proper as recommended by the Ethics Commission with action by the Board of Selectmen and permitted by law.

The penalties provided above are in addition to any other penalties provided by law to address violations of the provisions of this Ordinance.

**L. CONCURRENT OFFICES.**

No Town Employee shall serve on any board, committee, commission or agency to which the Town Employee reports or acts as staff, except as otherwise stated in the Town Charter or Ordinances. Notwithstanding the foregoing, a Town Employee may serve on any board, committee, commission or agency in an advisory capacity.

Except as otherwise provided in the Charter or by Ordinance, the First Selectman, the Selectmen, the Town Clerk, members of the Board of Finance and members of the Ethics Commission shall hold no other Public Office, and the provisions of Section 9-210 of the General Statutes concerning incompatible Town offices shall apply to the officers described therein.

The restrictions set forth in Section L. 1 and Section L. 2 shall not apply to membership on any temporary or advisory only committee, task force, working group, or the like.

Subject to the restrictions set forth in applicable law, or by the Charter or by Ordinance, and in Section L. 2 of this Ordinance, nothing in this Ordinance shall prevent the appointment of the same person to more than one Public Office, provided the offices are not incompatible, provided the duties of the offices to which he/she is appointed may, in the opinion of the Ethics Commission, be satisfactorily fulfilled by one person, and provided further that inability to fulfill satisfactorily the duties of all offices to which he is appointed shall be cause for removal from any one or more of said offices.

**M. MEETINGS.**

**Members Attendance.** Public Officials who are members of boards, committees, commissions, and agencies are expected to attend all meetings of such boards, committees, commissions and agencies or attend meetings in accordance with the by-laws or other duly adopted rules of the group to which they belong. However, it shall not be deemed to be a violation of this Ordinance if public officials who are members of boards, committees, commissions, and agencies comply with the standards set forth in Section 512 of the Town Charter. For the purposes of this Ordinance only, the attendance standards set forth in Section 512 shall apply to both elected and appointed members of boards, committees, commissions and agencies.

**Alternates' Attendance.** Public Officials who are alternate members of boards, committees, commissions and agencies are expected to attend all meetings of such boards,

committees, commissions and agencies, or attend meetings in accordance with the by-laws or other duly adopted rules of the group to which they belong. However, it shall not be deemed to be a violation of this Ordinance if Public Officials who are alternate members of boards, committees, commissions and agencies comply with the standards set forth in Section 512 of the Town Charter. For the purposes of this Ordinance only, the attendance standards set forth in Section 512 shall apply to both elected and appointed alternate members of boards, committees, commissions and agencies.

Voting. All Public Official members or seated alternate members of boards, committees, commissions and agencies who are qualified to vote, shall vote on all matters upon which a vote is held by such board, committee, commission or agency unless there shall be reasonable cause for abstention and said cause is stated and recorded in the minutes of the meeting.

Statement of Reasons. In every case where the action of any board, committee, commission or agency is subject to a right of appeal to another administrative body or to the courts of the State of Connecticut, a statement of the reasons for its action shall be included in the minutes of the meeting.

# SPECIFICATIONS FOR 10-WHEELED TANDEM AXLE DUMP TRUCK

## 1.0 GENERAL

1.1

It is the intent of this specification to provide for the purchase of one new, unused 10-wheeled tandem axle dump truck. The truck shall be suitable for heavy snow plowing and sanding and general construction hauling. It shall be the manufacturer's responsibility to furnish a complete unit and he shall ensure that all components of the truck and all furnished equipment is rated to meet all the load requirements of the vehicle and is in every way fully compatible with the intended usage. The truck shall meet all state and federal health, safety, and antipollution requirements and standards.

All equipment and substitutions shall be those of regular publication production options. All parts or attachments not specifically mentioned but necessary to complete the vehicle must be furnished and must conform to the highest standards of quality of material and workmanship provided in good engineering practice and intended in these specifications. The vehicle will be judged on stability and safety, ability to carry out Town's present operations, ease of operation and maintenance, drivers comfort, price and delivery date.

These specifications shall be considered minimum unless otherwise stated. This specification is not to be interpreted as restrictive but should be viewed as a measure of the safety, quality, and performance against which all bids will be compared. All variations from the stated specification must be clearly noted on the Bid Proposal.

Bids will be accepted for consideration on any make or model that is equal or superior to the equipment specified. Decisions of equivalency will be at the sole interpretation of the Director of Public Works. A blanket statement that equipment will meet all requirements will not be sufficient to establish equivalence. Original manufacturer's brochures of the proposed unit are to be submitted with the proposal.

In comparing proposals, consideration will not be limited to price only. The successful bidder will be the one whose product is determined to best serve the interests of the Town when judged on the ability of the vehicle to carry out Town's present operations, stability, safety, quality, ease of operation and maintenance, operator's comfort, price, and delivery date. The Town reserves the right to reject any or all bids or any part thereof, and to waive any minor technicalities.

It is the Town's intention to purchase a fully equipped package from a single vendor. The specifications were prepared to indicate the type and quality of the various components that comprise the vehicle. It shall be the bidder's responsibility to select

	<p>auxiliary equipment that fully complies with the specifications. Vendors are cautioned that inclusion of equipment that does not meet specification may be grounds for rejection of the entire bid.</p> <p>The cab controller layout must be approved by the Town before bids are submitted. A pre-paint inspection performed by the Town is required.</p>			
<b>2.0 ENGINE</b>		<b>YES</b>	<b>NO</b>	<b>COMMENT</b>
2.1	Diesel engine, Cummins X12 455V HP @ 1900 RPM, 1700 LB-FT @ 1000 RPM, 2000 GOV RPM, VOC			
2.2	Engine block heater			
<b>3.0 TRANSMISSION</b>				
3.1	Automatic Allison 3000 RDS			
<b>4.0 TIRES</b>				
4.1	Front (2): 315/80R22.5			
4.2	Rear (8): 12R22.5			
<b>5.0 AXLES</b>				
5.1	Front axle: Non-driving Meritor MFS-18-133A. Wide Track, I-Beam type, 18,000-lb capacity			



5.2	Tandem rear axle: Single, Meritor RT-46-164P. Single reduction, 46,000-lb capacity			
<b>6.0 BODY</b>				
6.1	14' floor length bed, 30" side height. 3/16" AR400 floor.			
6.2	Permanent side ladder			
6.3	Dump body vibrator			
6.4	Removable asphalt chute			
6.5	Hydraulic load cover			
6.6	Belt curb feeder (interchangeable with similar vehicles)			
<b>7.0 SPREADER</b>				
7.1	Spreader control: Bosch Rexroth CS-660 (see attached specifications)			

7.2	Spreader: Slide-in V-Box sander/spreader, 14' hopper length and liquid system attached			
7.3	Rear Cross Conveyor: Monroe MS10318 (see attached specifications)			
<b>8.0 SNOWPLOW</b>				
8.1	Mail box cut on plow			
8.2	Plow hitch must allow unimpeded opening of hood when plow equipped			
<b>9.0 TRAILER HITCH</b>				
9.1	Pintle hook trailer tow plate, 7-prong RV and electrical trailer brake, 7-prong round for trailer and air brake connections			
9.2	Low profile, manual tilt-type hitch			
<b>10.0 INSTRUMENTATION</b>				
10.1	Rear View Camera and Reverse Sensing system, camera mounted on tailgate gate latch.			
10.2	All gauges shall be dashboard mounted and internally illuminated.			

10.3	<p>Gauges shall include:</p> <ul style="list-style-type: none"> <li>• Oil pressure</li> <li>• Water Temperature</li> <li>• Fuel Level</li> <li>• Transmission Oil Temperature</li> <li>• Tachometer</li> <li>• Speedometer/Odometer with trip recorder</li> <li>• Engine Hourmeter – oil pressure activated</li> </ul>			
10.4	<p>Indicator lights and/or audible warning buzzers shall include:</p> <ul style="list-style-type: none"> <li>• Low fuel</li> <li>• High coolant temperature</li> <li>• Low oil pressure</li> <li>• Low battery</li> </ul>			
10.5	<p>ARC PC 131 Air &amp; Road Conditions System, wireless (see attached specifications)</p>			
<b>11.0 ELECTRICAL/LIGHTING</b>				
11.1	<p>Roof clearance lights</p>			
11.2	<p>Lights shall include:</p> <ul style="list-style-type: none"> <li>• Headlights – sealed beam halogen or LED.</li> <li>• Combination Tail, Stop, Turn signal and back-up light. Turn signal lights shall be self-canceling.</li> <li>• Heavy Duty Flashers.</li> <li>• Dual face front turn signal lights and marker lights.</li> <li>• Interior lights &amp; dome light.</li> <li>• Parking lights.</li> </ul>			

	<ul style="list-style-type: none"> <li>Truck's electrical system shall have capacity for strobe light system and separate switches for their operation shall be provided in the cab.</li> </ul>			
11.3	Electrical panel shall be equipped with SAE type III circuit breakers with trip indicators. Circuit breaker shall be provided for two-way radio.			
11.4	One (1) in-cab 12 volt electric brake controller capable of operating 2 or 4 wheel trailer brakes wired to trailer connection at rear bumper.			
<b>12.0 RADIO</b>				
12.1	The vehicle shall be capable of having a Motorola PM1500 radio installed, with 1/4 wave VHF roof mount antenna. Radio to be provided by the Town after delivery, with installation and antenna to be provided by the vendor.			
<b>13.0 PAINT</b>				
13.1	School bus yellow preferred if paint included in standard pricing, otherwise standard white.			
<b>14.0 SERVICE AND WARRANTIES</b>				
14.1	All vehicles must be guaranteed for quality material and workmanship. New vehicle warranty for truck shall be attached to the bid and shall include time period and specified coverage. Vehicle warranty to be minimum standard 3 years/36,000 miles. Warranty shall			

	go into effect the day the vehicle is delivered to the Town of Southbury.			
14.2	Provide an additional 5 year unlimited mileage 50,000 mile transmission and engine & engine electronics and injectors with added warranty for Exhaust DPF.			
14.3	Provide a one year body, plow and hydraulics warranty. The warranty shall go into effect the day the vehicle is delivered to the Town of Southbury.			
14.4	Bidder shall outline any additional extended warranty programs available for the proposed vehicle together with a corresponding price quotation.			
14.5	The vendor is responsible for complete transport (pick up and return) of the vehicle during the life of the vehicle and must be the full service center for the chassis and the equipment. The vendor will be within a reasonable travel time and provide night numbers. If towing is necessary to bring the vehicle to be serviced, it shall be provided by the vendor for the duration of the standard and/or extended warranty.			
<b>15.0 DELIVERY</b>				
15.1	The unit must be completely functional at delivery time and include four (4) hours operational training by a qualified manufacturer's representative and four (4) hours of mechanic specific training by a trained and experienced serviceman or			

	mechanic thoroughly familiar with the operation of the equipment. Training will be done within one (1) week of receipt of equipment.			
15.2	Delivery time not to exceed 180 calendar days from receipt of order to proceed without approval by Town.			
<b>16.0 EXCEPTIONS AND DEVIATIONS</b>				
16.1	Bidder shall fully describe every variance, exception, and/or deviation on additional sheets attached to the bid.			

**BID PROPOSAL  
RFP 2023-008  
10-WHEELED TANDEM AXLE DUMP TRUCK**



TO: Mr. Jeffrey Manville  
First Selectman  
501 Main Street South  
Southbury, Connecticut 06488

PROPOSAL OF

Name of Company

---

Address

---

City, State, ZIP

---

Telephone

---

Email

---

**PRICE SHEET**

**FOR: 10-WHEELED TANDEM AXLE DUMP TRUCK**

The bidder declares that he/she has thoroughly examined the specifications and all other bidding documents for the proposed work, dated April 14, 2023, and that, if his/her bid is accepted, he/she will contract with the Town to furnish the following vehicle and to perform all the work required by the Town of Southbury as directed and as stipulated in the specifications, and that he/she will take in full payment therefore, the unit price applicable to each item of the work as stated in the following schedule:

**IN FIGURES**

**IN WORDS**

1. 10-wheeled tandem axle dump truck in accordance with the specifications, or equivalent, at the lump sum price of:

\$ \_\_\_\_\_

\$ \_\_\_\_\_

We will order the vehicle(s) within \_\_\_\_\_ calendar days of receipt of a Notice to Proceed or signing of a contract and deliver the vehicles within \_\_\_\_\_ calendar days.

**RECEIPT OF ADDENDA**

**ADDENDUM #**

**SIGNATURE**

**DATE**

1

\_\_\_\_\_

2

\_\_\_\_\_

3

\_\_\_\_\_



The bidder certifies that his bid is made independently without collusion, agreement, understanding or planned course of action with any other bidder and that the contents of his bid have not been disclosed to anyone other than his employees, agents or sureties prior to the official bid opening.

The Bidder, by submittal of this bid, agrees with the Town that the amount of bid security deposited with this bid (if any) fairly and reasonably represents the amount of damages the Town will suffer due to the failure of the Bidder to fulfill his agreements as above provided.

Legal Company Name \_\_\_\_\_

Signature of Authorized Representative \_\_\_\_\_

Title of Authorized Representative \_\_\_\_\_

Business Address \_\_\_\_\_

City, State and Zip Code \_\_\_\_\_

Telephone Number \_\_\_\_\_

Email \_\_\_\_\_

Date \_\_\_\_\_

The successful bidder must submit satisfactory proof of insurance and a signed Indemnification Certificate.

**INDEMNIFICATION CERTIFICATE**

To the fullest extent permitted by law, the Contractor shall indemnify and hold harmless the Town of Southbury, and agents and employees of said Town from and against claims, damages, losses and expenses, including but not limited to attorney's fees, arising out of or resulting from performance of the work, provided that such claim, damage, loss or expense is attributable to bodily injury, sickness, disease or death, or to injury to or destruction of tangible property (other than the work itself) including loss or use resulting therefrom, but only to the extent caused in whole or in part by acts or omissions of the Contractor, a subcontractor, anyone directly or indirectly employed by them or anyone for whose acts they may be liable, regardless of whether or not such claim, damage, loss or expense is caused in part by a party indemnified hereunder.

Such obligation shall not be construed to negate, abridge, or reduce other rights or obligations of indemnity which would otherwise exist as to the Town of Southbury. In claims against any person or entity indemnified under this paragraph by an employee of the Contractor, a subcontractor, anyone directly or indirectly employed by them or anyone for whose acts they may be liable, the indemnification obligation under this paragraph shall not be limited by a limitation on amount or type of damages, compensation or benefits payable by or for the Contractor or a subcontractor under workers' or workmen's compensation acts, disability benefits acts or other employee benefits acts.

Contractor \_\_\_\_\_

Signature of Authorized Representative \_\_\_\_\_

Title of Authorized Representative \_\_\_\_\_

Business Address \_\_\_\_\_

Date \_\_\_\_\_

**NOTICE TO CONTRACTORS — CODE OF ETHICS/CONFLICT OF INTEREST  
ORDINANCE**

The Town of Southbury has amended its Code of Ethics/Conflict of Interest Ordinance to become effective on February 28, 2017 and is included in this package. The Contractor shall comply with all applicable provisions of said Ordinance. The Contractor acknowledges receiving a copy of said Ordinance, a copy of which is attached hereto and made a part hereof. The Contractor further agrees that any instance of its violating any provisions of the Code of Ethics/Conflict of Interest Ordinance will be sufficient cause for the Town to terminate any or all of the Contractor's contracts or pending contracts with the Town. The Contractor agrees that the above clause will also be incorporated in all of its contracts with its subcontractors and consultants.

**ACKNOWLEDGEMENT OF RECEIPT**

I have **read** the above Code of Ethics/Conflict of Interest Ordinance, and agree to abide by its terms.

**ORDINANCE RECEIVED BY**

Print Name \_\_\_\_\_

Signature \_\_\_\_\_

Date \_\_\_\_\_

## REFERENCES

The Bidder is required to complete the following form to allow the Town of Southbury to make inquiries and judgment as to the Bidder's experience, skill, available financial resources, credit, and business standing.

1. The Bidder has been in business for \_\_\_\_\_ years.
2. List three (3) projects of similar nature to the project described herein that the Bidder has completed. Include the name of entity, address, contact person, email, and telephone number of a reference for each project.

a. Name \_\_\_\_\_

Address \_\_\_\_\_

Contact \_\_\_\_\_

Email \_\_\_\_\_

Phone \_\_\_\_\_

b. Name \_\_\_\_\_

Address \_\_\_\_\_

Contact \_\_\_\_\_

Email \_\_\_\_\_

Phone \_\_\_\_\_

c. Name \_\_\_\_\_

Address \_\_\_\_\_

Contact \_\_\_\_\_

Email \_\_\_\_\_

Phone \_\_\_\_\_

## \*This item is required for the vehicle

The ARC (Air & Road Conditions) system designed by PreCise MRM makes monitoring your environment in real-time easier than ever. Our wireless vehicle-mounted sensor means the installation is effortless. Capture critical weather information such as road and air temperatures, relative humidity and dew point, all from a single sensor. The remote in-cab color LCD display shares these live readings in an easy-to-read format. Operators can quickly and conveniently view air and road conditions to make appropriate decisions on road treatment.

The ARC systems are fully compatible with FORCE America SSC6100 spreader controllers and PreCise MRM GPS devices for data collection. Used together, fleet managers can maximize fleet performance and better manage their bottom line.

## FEATURES

- Accurately monitor air and road temperatures, relative humidity and dew point in real-time via your mobile assets
- Wireless short-range communication uses very little power, resulting in longer sensor battery life
- Ruggedized design to withstand the rigors of the heavy-equipment environment
- Sunlight-readable color LCD display utilizes a large, clear font for at-a-glance operation
- User-selectable configuration for °F or °C
- Simplified installation with flexible in-cab mounting options for the display
- Fully compatible with FORCE America SSC6100 controllers and PreCise MRM GPS devices for data collection
- J-1708 and RS-232 outputs allow for flexible integration with other 3rd party hardware
- Made in the USA



APPLICATIONS

- Utilize your fleet vehicles as mobile weather stations to collect real-time data for critical decisions on road treatment
- Go beyond standard air and road temperatures with the inclusion of relative humidity and dew point, used to determine if treatment is needed for frost or black ice
- Improve resource utilization of both labor and material by better understanding real-time road and weather conditions
- Asphalt crews can respond on the fly to changing conditions without the need of additional handheld tools or gauges
- Paint striping crews can monitor road surface temperatures in real-time for appropriate application conditions

TECHNICAL SPECIFICATIONS

WIRELESS SENSOR

- Air Temp:  $\pm 0.5^{\circ}\text{C}$  ( $\pm 1.0^{\circ}\text{F}$ ) typical
- Relative Humidity:  $\pm 4\%$  typical
- Road Temp:  $\pm 1.0^{\circ}\text{C}$  ( $\pm 2.0^{\circ}\text{F}$ ) typical
- Emissivity: calibrated to 0.95
- Field of View:  $10^{\circ}$
- Operating Temp:  $-40^{\circ}\text{C}$  to  $85^{\circ}\text{C}$  ( $-40^{\circ}\text{F}$  to  $185^{\circ}\text{F}$ )
- Radio Communications: IEEE 802.15.4 (2.4GHz DSSS)
- Range: 10m (33ft) typical
- Power: (1) 1.5V alkaline D Cell

DISPLAY

- Sunlight-readable, full-color display
- Backlight: User selectable and auto-dimming
- Display Units:  $^{\circ}\text{C}$  or  $^{\circ}\text{F}$ , User selectable
- Update Frequency: 1 to 60 seconds, user selectable
- Operating Temp:  $-20^{\circ}\text{C}$  to  $70^{\circ}\text{C}$  ( $-4^{\circ}\text{F}$  to  $158^{\circ}\text{F}$ )
- Radio Communications: IEEE 802.15.4 (2.4GHz DSSS)
- Range: 10m (33ft) typical
- Power: 6.5V-32V vehicle power
- Serial Outputs: RS-232, SAE J-1708, CAN



1-888-449-0357

1311 East Franklin Road, Suite 102

Meridan, ID 83642

www.precisemrm.com

**FORCE America  
Sales and Service Centers**

Bismarck, ND	800-624-7568	Denver, CO	888-833-7711	Minneapolis, MN	800-328-2732
Charlotte, NC	800-788-8598	Fort Dodge, IA	800-362-2994	Philadelphia, PA	800-492-6621
Chicago, IL	800-433-5765	Kansas City, MO	800-383-4724	Salt Lake City, UT	877-230-0505
Columbus, OH	888-449-0356	Memphis, TN	888-845-5876		
Dallas, TX	800-893-7225	Milwaukee, WI	800-722-5844		

# Compu-Spread

## CS-660/160 Advanced Spreader Controller



**Multi-function programmable controller for granular, and or liquids as well as joystick applications in Snow and Ice Control.**

An controller can meet all winter road maintenance operations.

- **Standard Spreader:** Granular, Prewet, Gate
- **Anti-icing System:** 1 boom, and 3 boom control
- **Symmetry System:** Granular, Prewet, Anti-icing, Chute
- **Additional Functions:**
  - Spinner/Conveyor reverse,
  - Dual Channel Cross Conveyor
  - Dual-spinner, and Lane control
  - Air Gate Control
- **Joystick functions:**
  - Support up to 9 proportional functions
  - Multiple power floats with or without proximity sensor
  - Dump Limit protection with or without override
  - Low oil protection with or without override
  - Single and multi-axis safety interlock
  - Emergency raise spreader function interlock
- **Configurable intelligent inputs & light functions**
  - Up to 16 switches, 8 general purpose digital outputs
  - All inputs and outputs CAN bus connected
- **Digital IP Cameras:**
  - Security, Resolution, Intelligence, Scalability
- **Multiple Profiles:** Up to 6 operation configurations

### **Reliable**

- Comprehensive solution for fleet application
- Automotive grade with wide temp range
- Robust and compact design for mobile applications
- High Electromagnetic Compatibility (EMC)
- Inputs and outputs with fault detection

### **Connected**

- CAN bus connected system control components
- WiFi data transfer, soft AP for WiFi cameras&sensors
- Bluetooth & USB connections for data exchange and sensor support
- Serial communications for temp sensor, GPS receiver
- Comprehensive Rexroth IoT Cloud solution for connect-ed fleet management, spreading activity reports, remote analytics, remote diagnosis, vehicle health monitoring
- AVL interface allow 3rd party devices to connect and retrieve information from spreader controllers

### **Modular**

- Modular hardware:
  - Display only, Integrated display
  - Smart IOs, Bodas RC4-5, RC28-14
  - Joystick consoles with or without smart IOs
  - Standalone & Pendant Joystick console
  - RC4-5 unction box, RC28-14 Junction box
  - CAN/sensor/valve cables
  - IoT Connectivity unit
- Modular functions: Granular, Anti-icing, Joysticks, Smart IOs, parameter configuration and report package, IoT solution

### **Secure**

- Program sequence monitoring watchdog
- Proprietary operating system, Rexroth security
- Data encryption and Certificate management

## System Features

- High performance ultra-modern 32-bit TriCore technology
- Component of BODAS system for mobile applications
- Robust and compact design meeting specifications for mobile applications
- High Electromagnetic Compatibility (EMC)
- Inputs and outputs with fault detection
- Central output deactivation
- PWM solenoid currents for minimum hysteresis
- Closed-loop control of solenoid currents, i.e. not dependent on supply voltage and temperature
- Fused watchdog supervised processor for program run monitoring
- Hardware based RAM memory supervision
- CPU internal Flash with ECC error-correcting code
- Three independent sensor power supplies
- Two-channel stop function (safety protection)
- Support up to 9 proportional joystick functions
- Joysticks supported:

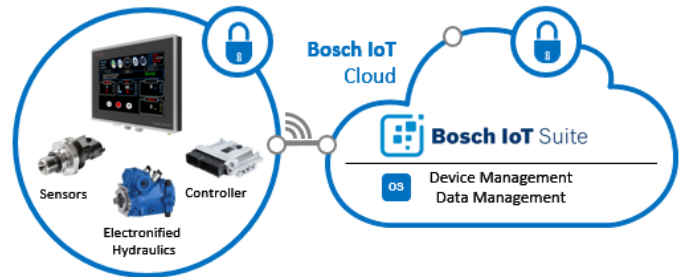


- Double lock activation for critical functions
- Auto-null, Auto-Calibration, and Auto-Catch Test
- Easy to diagnose: Bootup system diagnosis, real time error detection and management
- Configurable CAN IOs for lights, or custom functions
- Dual-band, dual-mode station & softAP, WiFi 802.11/a/b/g/n, station & softAP, dual-band 2.4 & 5 GHz, hardware encryption engine for 128-bit AES, WAPI support
- Bluetooth v3.0+HS
- GNSS receiver support all four global navigation systems, GPS, GLONASS, GALILEO, BEIDOU
- Support for various infra-red temperature, liquid level, hydraulic pressure & temperature sensors
- IP67 junction box with stainless steel connectors and diagnostic LEDs
- Firmware upgradable with an USB stick or WiFi

## CS-Desktop Suite

- Support CS-550s, CS550/150s, CS-660s, CS-660/160s
- Parameter management, download/upload, configuration
- Log data management, activity reporting
- Error message management
- Joystick configuration
- Auto WiFi log data and parameter download
- Spreading activity GPS waypoint mapping

## Rexroth IoT



- Real time activity tracking
- Real time performance metering
- Vehicle health monitoring, electronics, hydraulics, ...
- Fleet management, vehicle tracking, geo-fencing
- Web based real time activity reporting
- Remote troubleshooting and software update

## IP Camera



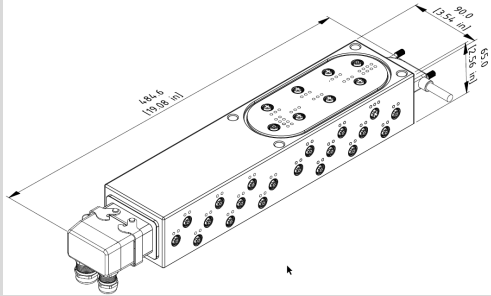
- Digital imaging, higher resolution, higher security protection, scalability, remote access, analytics.
- Image sensor: 1/3" progressive scan CMOS sensor
- Main Stream:1920\*1080p, sub stream:704\*576, 25fps/s
- H.265/H.264
- ICR(IR-CUT) filter auto switch
- 3.6mm len
- IR distance: 30m
- Infrared LED: 35pcs
- Color: 0.05LUX@F1.2
- B/W:0LUX/LED ON
- Support RTSP/FTP/PPPOE/DHCP/DDNS/NTP/UPnP
- Built-in WiFi
- Operation conditions: -30 °C ~ 60 °C (-22 °F ~ 140 °F), humidity 95% or less (non-condensing)
- Power supply; DC 10~24V
- P66 protection (water-proof, vandal-proof)



# Technical Data CS-660/160 (for BODAS Controller RC 28-14/30 details refer to Rexroth data sheet RE 95 204)

## General

<b>Enclosure Material</b>	Extruded aluminum, powder coated	
<b>Weight</b>	3.0 kg	6.6 lb. mass
<b>Size</b>	<b>Display</b>	252.5 mm high x 184 wide x 60.4 deep
	<b>Junction box</b>	484.6 mm length x 90 wide x 65 high 19.08 in length x 3.54 wide x 2.56 high



<b>Mechanical Mounting</b>	“Ram Bracket”, size 1-1/2”
<b>Display Screen</b>	7” wide WVGA, 800 x 480 pixels, 16.7M colours, capacitive touch screen, 6H hardness Adjustable backlight, brightness of 1350 cd/m <sup>2</sup> , Strengthen glass with thickness of 1.1mm
<b>Loudspeaker</b>	1.5 Watt amplifier with adjustable voice feedback

## Electrical & Environmental Specifications

<b>Supply Voltage</b>	9-32 VDC	
<b>Outputs</b>	Proportional outputs	28 channels, current compensated
	Digital Outputs	14 channels
<b>Inputs</b> (All inputs protected and filtered)	Frequency Inputs	5 channels
	Switch Inputs	8 channels
	Analogue Inputs	7 channels
<b>Interfaces</b>	2 CAN ports, 2 serial ports	
<b>GPS Tracking</b> (when supplied)	High resolution industrial GNSS receiver support all four navigation systems, GPS, GLONASS, BEIDOU, GALILEO, and accept up to 72 satellites simultaneously	
<b>WiFi Data Transfer</b> (when supplied)	802.11 a/b/g/n, station & softAP, dual-band 2.4&5 GHz, hardware encryption engine for 128bit AES, WAPI support	
<b>Operating Temperature</b>	-30°C to 85°C	-22°F to 185°F
<b>Storage Temperature</b>	-40°C to 85°C	-40°F to 185°F

## Compliant Standards (CS-660/160 and RC Controllers)

<b>Electromagnetic Compatibility</b>	100v/m, load dump	
<b>Immunity</b>	RF Immunity:	ISO 11452-2, 400-1000 MHz, 80% mod.1kHz 1 GHz—2 GHz, 80% mod. 1 kHz 25v/m (Level 1 Severity)
	Conducted Immunity:	ISO 7637-2 (2004), System Pulse 1, 2a, 2b, 3b, 4
<b>RF Emissions</b>	CISPR 25:2002-08, 30 MHz—1 GHz, according to 72/245/EC EN 55025	
<b>Electrostatic Discharge</b>	EN 61000-4-2 ISO 10605, Contact +/- 8kV, air discharge +/- 15kV	
<b>Vibration</b>	ISO 16750-3, 10-2000Hz @ 58 m/s	
<b>Shock</b>	IEC 60068-2-72, 40G for 11 ms	
<b>Moisture</b>	DIN EN 60068-2-30Db; version 2, part 2, Hum=95% 25 to -55°C	
<b>Salt Spray</b>	DIN 50021-SS, 72h 35°C 5% NaCl	
<b>Medial Resistance</b>	ISO 16750-5, cola, coffee, paint thinner	
<b>Enclosure Protection</b>	IEC 60529 IP56	

\*Highlights indicate required specifications for the vehicle

# Rear Cross Conveyor | MS1031/MS10318

## MS10312

### GENERAL SPECIFICATIONS

WIDTH:	103"
DEPTH*:	28.46 OAL
HEIGHT*:	26.94 OAL
ENDPLATES:	1/4"

### CONVEYOR SPECIFICATIONS

ADJUSTABLE FEED GATE (x2):	10" x 10"
DISCHARGE:	LEFT AND/OR RIGHT
BELT WIDTH:	12"
BELT THICKNESS:	3/8"

## MS10318

### GENERAL SPECIFICATIONS

WIDTH:	103"
DEPTH*:	34.46 OAL
HEIGHT*:	26.94 OAL
ENDPLATES:	1/4"

### CONVEYOR SPECIFICATIONS

ADJUSTABLE FEED GATE (x2):	10" x 16"
DISCHARGE:	LEFT AND/OR RIGHT
BELT WIDTH:	18"
BELT THICKNESS:	3/8"



Shown with Optional Spinner Assembly and Berm Chute



Optional 4' Extension with caged rollers

### Features:

- Spreads a wide variety of material which includes all types of aggregate and hot mix asphalt
- Performs shoulder maintenance, rut-filling, asphalt-patching and ice control
- Available in a 12" or 18" Conveyor width
- Bi-directional conveyor provides driver side or passenger side discharge
- Quick Attach/Detach, Self-leveling mounting hardware
- Hi-Temp straight belt with flexible stainless splicing
- Caged design drive and idler pulleys
- Poly support rollers with stainless steel shaft, which eliminates the need for bearings
- Heavy duty bearing and belt adjustment

### Options:

- 4' Extension with Belt to mount to Hydraulic Truck Conveyor
- Light Package - Stop, Turn & Tail Light with 3-light Cluster
- Sand Bag Attachment
- Corrosion-Resistant Stainless Steel
- Spinner Assembly
- Reversing Valve
- Berm Chute

### Q) Why should I use a Monroe Rear Cross Conveyor Spreader?

A) The Monroe Rear Cross Conveyor spreader is designed to spread all types of aggregate, hot mix and even soil when used in conjunction with a standard dump body. It is ideal for shoulder maintenance, edge rut filling, patching and ice control. Available from Monroe in either a 12" or 18" wide belt, these versatile units are low-maintenance, self-cleaning units that are great for the small municipal entity that needs to spread good abrasives in the winter, yet can't afford a separate shouldering machine for spring and summer work.



- Available in Manual or Hydraulic Actuation
- Bolt-On Replaceable 1/2" x 4" Skid Shoe Weldments
- 24" Wide Leveling Box
- Height Adjustable Leveling Blade
- Universal Left or Right Hand Mounts
- Can be raised up and out of the way for transport
- Unit slides on six heavy duty UHMW slider blocks for better support
- Powder Coat Black
- Available for Monroe MS10318 Rear Cross Conveyor
- 1/4" x 2 - 1/2" Slider Angles for support of leveling box

Cross Conveyor  
Berm Master

**\*The following specifications are presented as a reference/guide only.**

**AXLE CONFIG:** 6X4  
**APPLICATION:** Front Plow with spreader  
**MISSION:** Requested GVWR: 33000. Calc. GVWR: 64000. Calc. GCWR: 80000  
Calc. Start / Grade Ability: 49.29% / 4.62% @ 55 MPH  
Calc. Geared Speed: 57.9 MPH

**DIMENSION:** Wheelbase: 187.00, CA: 112.00, Axle to Frame: 75.00  
**ENGINE, DIESEL:** {Cummins L9 370} EPA 2021, 370HP @ 2100 RPM, 1250 lb-ft Torque @ 1200 RPM, 2100 RPM Governed Speed, 370 Peak HP (Max)

**TRANSMISSION, AUTOMATIC:** {Allison 3000 RDS} 5th Generation Controls, Close Ratio, 6-Speed with Double Overdrive, with PTO Provision, Less Retarder, Includes Oil Level Sensor, with 80,000-lb GVW and GCW Max, On/Off Highway

**CLUTCH:** Omit Item (Clutch & Control)  
**AXLE, FRONT NON-DRIVING:** {Meritor MFS-18-133A} Wide Track, I-Beam Type, 18,000-lb Capacity  
**AXLE, REAR, TANDEM:** {Meritor RT-46-164P} Single Reduction, Standard Width, 46,000-lb Capacity, with Lube Oil Pump, Driver Controlled Locking Differential in Forward-Rear and Rear-Rear Axle, 200 Wheel Ends Gear Ratio: 6.83

**CAB:** Conventional, Day Cab  
**TIRE, FRONT:** (2) 315/80R22.5 Load Range L HAU 3 WT (CONTINENTAL), 480 rev/mile, 68 MPH, All-Position  
**TIRE, REAR:** (8) 11R22.5 Load Range H HDO (CONTINENTAL), 490 rev/mile, 68 MPH, Drive  
**SUSPENSION, REAR, TANDEM:** {Hendrickson HMX EX 460} Walking Beam, 46,000-lb Capacity, 54" Axle Spacing, Rubber Springs, with Transverse Torque Rods, Rubber End Bushings

**PAINT:** Cab schematic 100WK  
Location 1: 4421, School Bus Yellow (Std)  
Chassis schematic N/A

## Vehicle Specifications

### Description

Base Chassis, Model HV507 SFA with 187.00 Wheelbase, 112.00 CA, and 75.00 Axle to Frame.

### AXLE CONFIGURATION

---

AXLE CONFIGURATION {Navistar} 6x4

#### Notes

: Pricing may change if axle configuration is changed.

### ENGINE

---

ENGINE, DIESEL {Cummins L9 370} EPA 2021, 370HP @ 2100 RPM, 1250 lb-ft Torque @ 1200 RPM, 2100 RPM Governed Speed, 370 Peak HP (Max)

CARB EMISSION WARR COMPLIANCE Federal, Does Not Comply with CARB Emission Warranty

CARB IDLE COMPLIANCE Federal, Does Not Comply with California Clean Air Idle Regulations

EMISSION, CALENDAR YEAR {Cummins L9} EPA, OBD and GHG Certified for Calendar Year 2022

RADIATOR Aluminum, Cross Flow, Front to Back System, 1228 SqIn, with 1167 SqIn Charge Air Cooler

#### Includes

: DEAERATION SYSTEM with Surge Tank

: HOSE CLAMPS, RADIATOR HOSES Gates Shrink Band Type; Thermoplastic Coolant Hose Clamps

: RADIATOR HOSES Premium, Rubber

FAN DRIVE {Horton Drivemaster} Two-Speed Type, Direct Drive, with Residual Torque Device for Disengaged Fan Speed

#### Includes

: FAN Nylon

AIR CLEANER Dual Element, with Integral Snow Valve and In-Cab Control

ANTI-FREEZE Red, Extended Life Coolant; To -40 Degrees F/ -40 Degrees C, Freeze Protection

BLOCK HEATER, ENGINE 120V/1000W, for Cummins ISB/B6.7/ISL/L9 Engines

#### Includes

: BLOCK HEATER SOCKET Receptacle Type; Mounted below Drivers Door

ENGINE CONTROL, REMOTE MOUNTED No Provision for Remote Mounted Engine Control

PTO EFFECTS, ENGINE FRONT Less PTO Unit, Includes Adapter Plate on Engine Front Mounted

THROTTLE, HAND CONTROL Engine Speed Control for PTO; Electronic, Mobile, Variable Speed; (Range 2 to 20 MPH) Mounted on Steering Wheel

### TRANSMISSION

---

TRANSMISSION, AUTOMATIC {Allison 3000 RDS} 5th Generation Controls, Close Ratio, 6-Speed with Double Overdrive, with PTO Provision, Less Retarder, Includes Oil Level Sensor, with 80,000-lb GVW and GCW Max, On/Off Highway

TRANSMISSION TCM LOCATION Located Inside Cab

ALLISON SPARE INPUT/OUTPUT for Rugged Duty Series (RDS) and Regional Haul Series (RHS), General Purpose Trucks, Construction, Package Number 223

NEUTRAL AT STOP Allison Transmission Shifts to Neutral When Service Brake is Depressed and Vehicle is at Stop; Remains in Neutral Until Service Brake is Released

OIL COOLER, AUTO TRANSMISSION {Modine} Water to Oil Type

PTO LOCATION Dual, Customer Intends to Install PTO at Left and/or Right Side of Transmission

SHIFT CONTROL PARAMETERS {Allison} 3000 or 4000 Series Transmissions, S1 Performance in Primary and Fixed Programming in Secondary

TRANSMISSION OIL Synthetic; 29 thru 42 Pints

TRANSMISSION SHIFT CONTROL Column Mounted Stalk Shifter, Not for Use with Allison 1000 & 2000 Series Transmission

### CLUTCH

---

CLUTCH Omit Item (Clutch & Control)

### REAR AXLES, SUSPENSIONS

---

AXLE, REAR, TANDEM {Meritor RT-46-164P} Single Reduction, Standard Width, 46,000-lb Capacity, with Lube Oil Pump, Driver Controlled Locking Differential in Forward-Rear and Rear-Rear Axle, 200 Wheel Ends . Gear Ratio: 6.83

## Vehicle Specifications

### Description

SUSPENSION, REAR, TANDEM {Hendrickson HMX EX 460} Walking Beam, 46,000-lb Capacity, 54" Axle Spacing, Rubber Springs, with Transverse Torque Rods, Rubber End Bushings  
DIFF. SWITCH CONTROLS Two Independent Switches for Control Traction Differentials on Tandem Rear Axles, Mounted on Dash  
TRANSVERSE TORQUE RODS {Hendrickson} TRAAX Rod, Transverse Only

### FRONT AXLES

---

AXLE, FRONT NON-DRIVING {Meritor MFS-18-133A} Wide Track, I-Beam Type, 18,000-lb Capacity

### FRONT SUSPENSIONS

---

SUSPENSION, FRONT, SPRING Multi-Stage Parabolic Taper Leaf, Shackle Type, 20,000-lb Capacity, with Shock Absorbers  
SPRINGS, FRONT AUXILIARY Rubber

### CABS, COWLS, BODIES

---

CAB Conventional, Day Cab

ACCESS, CAB Steel, Driver & Passenger Sides, Two Steps per Door, for use with Day Cab and Extended Cab

AIR CONDITIONER with Integral Heater and Defroster

ARM REST, LEFT, PASSENGER SEAT

ARM REST, RIGHT, DRIVER SEAT

CAB DOOR LOCKS Power, Driver Side Only; Non-Locking When Door Open

CAB INTERIOR TRIM Diamond, for Day Cab

#### Includes

: CONSOLE, OVERHEAD Molded Plastic with Dual Storage Pockets, Retainer Nets and CB Radio Pocket; Located Above Driver and Passenger

: DOME LIGHT, CAB Door Activated and Push On-Off at Light Lens, Timed Theater Dimming, Reading Lights; Integral to Overhead Console, Center Mounted

: SUN VISOR (3) Padded Vinyl; 2 Moveable (Front-to-Side) Primary Visors, Driver Side with Vanity Mirror and Toll Ticket Strap, plus 1 Auxiliary Visor (Front Only), Driver Side

CAB REAR SUSPENSION Air Bag Type

FRESH AIR FILTER Attached to Air Intake Cover on Cowl Tray in Front of Windshield Under Hood

GAUGE CLUSTER Base Level; English with English Electronic Speedometer

#### Includes

: GAUGE CLUSTER DISPLAY: Base Level (3" Monochromatic Display), Premium Level (5" LCD Color Display); Odometer, Voltmeter, Diagnostic Messages, Gear Indicator, Trip Odometer, Total Engine Hours, Trip Hours, MPG, Distance to Empty/Refill for

: GAUGE CLUSTER Speedometer, Tachometer, Engine Coolant Temp, Fuel Gauge, DEF Gauge, Oil Pressure Gauge, Primary and Secondary Air Pressure

: WARNING SYSTEM Low Fuel, Low DEF, Low Oil Pressure, High Engine Coolant Temp, Low Battery Voltage (Visual and Audible), Low Air Pressure (Primary and Secondary)

GAUGE, OIL TEMP, AUTO TRANS for Allison Transmission

GRAB HANDLE, EXTERIOR Chrome, Towel Bar Type, with Anti-Slip Rubber Inserts, for Cab Entry Mounted Left Side at B-Pillar

INSTRUMENT PANEL Flat Panel

IP CLUSTER DISPLAY On Board Diagnostics Display of Fault Codes in Gauge Cluster

MIRRORS (2) C-Loop, Power Adjust, Heated, LED Clearance Lights, Bright Heads and Arms, 7.5" x 14" Flat Glass, Includes 7.5" x 7" Convex Mirrors, for 102" Load Width

#### Notes

: Mirror Dimensions are Rounded to the Nearest 0.5"

MIRROR, CONVEX, HOOD MOUNTED {Lang Mekra} (2) Right and Left Sides, Bright, Heated, 7.5" Sq.

SEAT BELT All Orange; 1 to 3

SEAT, DRIVER {National 2000} Air Suspension, High Back with Integral Headrest, Vinyl, Isolator, 1 Chamber Lumbar, with 2 Position Front Cushion Adjust, -3 to +14 Degree Angle Back Adjust

SEAT, PASSENGER {National 2000} Air Suspension, High Back with Integral Headrest, Vinyl, Isolated, 1 Chamber Lumbar, 2 Position Front Cushion Adjustment, -3 to +14 Degree Back Adjust

SUNSHADE, EXTERIOR Aerodynamic, Painted Roof Color, with Integral Clearance/Marker Lights

WINDOW, POWER (2) and Power Door Locks, Left and Right Doors, Includes Express Down Feature

WINDSHIELD Heated, Single Piece

## Vehicle Specifications

### Description

#### **FRAMES**

---

FRAME RAILS Heat Treated Alloy Steel (125,000 PSI Yield); 11.25" x 4.00" x 0.500" (285.75mm x 101.6mm x 12.7mm); 480.8" (12212mm) Maximum OAL  
BUMPER, FRONT Swept Back, Steel, Heavy Duty  
CROSSMEMBER, SUSPENSION (1) 7-Piece Steel in lieu of (1) Double Dogbone, Forward  
FRAME EXTENSION, FRONT Integral; 20" In Front of Grille  
FRAME, SPECIAL EFFECTS Dimple on Left and Right Top Flange of Frame Rail to Reference Rear Axle Centerline  
TOW HOOK, FRONT (2) Frame Mounted  
TOW HOOK, REAR (2)  
WHEELBASE RANGE 177" (450cm) Through and Including 226" (575cm)

#### **BRAKES**

---

BRAKE SYSTEM, AIR Dual System for Straight Truck Applications

##### Includes

: BRAKE LINES Color and Size Coded Nylon  
: DRAIN VALVE Twist-Type  
: GAUGE, AIR PRESSURE (2) Air 1 and Air 2 Gauges; Located in Instrument Cluster  
: PARKING BRAKE CONTROL Yellow Knob, Located on Instrument Panel  
: PARKING BRAKE VALVE For Truck  
: QUICK RELEASE VALVE On Rear Axle for Spring Brake Release: 1 for 4x2, 2 for 6x4  
: SPRING BRAKE MODULATOR VALVE R-7 for 4x2, SR-7 with relay valve for 6x4/8x6  
AIR BRAKE ABS {Bendix AntiLock Brake System} 4-Channel (4 Sensor/4 Modulator) Full Vehicle Wheel Control System  
BRAKES, FRONT {Meritor 16.5X6 Q-PLUS CAST} Air S-Cam Type, Cast Spider, Fabricated Shoe, Double Anchor Pin, Size 16.5" X 6", 20,000-lb Capacity  
BRAKE CHAMBERS, FRONT AXLE {Bendix} 24 Sqli  
SLACK ADJUSTERS, FRONT {Haldex} Automatic  
DUST SHIELDS, FRONT BRAKE for Air Cam Brakes  
BRAKES, REAR {Meritor 16.5X7 Q-PLUS CAST} Air S-Cam Type, Cast Spider, Fabricated Shoe, Double Anchor Pin, Size 16.5" X 7", 23,000-lb Capacity per Axle  
BRAKE CHAMBERS, REAR AXLE {Bendix EverSure} 30/30 Sqli Spring Brake  
SLACK ADJUSTERS, REAR {Haldex} Automatic  
BRAKE CHAMBERS, POSITION on Rear/Rear Axle Located Inside Rear Tire Envelope (Meets Asphalt Spreader/Paver Clearance Requirements)  
PARK BRAKE CHAMBERS, ADDITIONAL (2) Spring Brake Type  
DUST SHIELDS, REAR BRAKE for Air Cam Brakes  
AIR COMPRESSOR {Cummins} 18.7 CFM  
AIR DRYER {Bendix AD-IP} with Heater  
AIR DRYER LOCATION Mounted Inside Left Rail, Back of Cab  
AIR TANK LOCATION (2) Mounted Under Battery Box, Outside Right Rail, Back of Cab, Perpendicular to Rail  
DRAIN VALVE {Berg} with Pull Chain, for Air Tank  
TRAILER CONNECTIONS Four-Wheel, with Hand Control Valve and Tractor Protection Valve, for Straight Truck

##### Notes

: When electronic stability control is ordered with trailer connections on a 4x2 truck, please check the operator manual for trailer weight restrictions.

#### **STEERING**

---

STEERING GEAR (2) {Sheppard M100/M80} Dual Power  
STEERING COLUMN Tilting  
STEERING WHEEL 4-Spoke; 18" Dia., Black

#### **DRIVELINES**

---

DRIVELINE SYSTEM {Dana Spicer} Service Free SPL170 Main Driveline with SPL170 Interaxle Shaft, for 6x4

#### **EXHAUST SYSTEMS**

---



## Vehicle Specifications

### Description

EXHAUST SYSTEM Horizontal Aftertreatment System, Frame Mounted Right Side Under Cab, for Single Vertical Tail Pipe, Frame Mounted Right Side Back of Cab, for Improved Ground Clearance  
AFTERTREATMENT COVER Steel, Black  
EXHAUST HEIGHT 10'  
MUFFLER/TAIL PIPE GUARD (1) Bright Stainless Steel  
TAIL PIPE (1) Turnback Type, Bright

### ELECTRICAL SYSTEMS

---

ELECTRICAL SYSTEM 12-Volt, Standard Equipment

#### Includes

: DATA LINK CONNECTOR For Vehicle Programming and Diagnostics In Cab  
: HAZARD SWITCH Push On/Push Off, Located on Instrument Panel to Right of Steering Wheel  
: HEADLIGHT DIMMER SWITCH Integral with Turn Signal Lever  
: PARKING LIGHT Integral with Front Turn Signal and Rear Tail Light  
: STARTER SWITCH Electric, Key Operated  
: STOP, TURN, TAIL & B/U LIGHTS Dual, Rear, Combination with Reflector  
: TURN SIGNAL SWITCH Self-Cancelling for Trucks, Manual Cancelling for Tractors, with Lane Change Feature  
: WINDSHIELD WIPER SWITCH 2-Speed with Wash and Intermittent Feature (5 Pre-Set Delays), Integral with Turn Signal Lever  
: WINDSHIELD WIPERS Single Motor, Electric, Cowl Mounted  
: WIRING, CHASSIS Color Coded and Continuously Numbered  
ALARM, PARKING BRAKE Electric Horn Sounds in Repetitive Manner When Vehicle Park Brake is "NOT" Set, with Ignition "OFF" and any Door Opened  
ALTERNATOR {Leece-Neville AVI160P2013} Brush Type, 12 Volt, 160 Amp Capacity, Pad Mount, with Remote Sense  
ANTENNA Shark Fin, Roof Mounted  
AUXILIARY HARNESS 3.0' for Auxiliary Front Head Lights and Turn Signals for Front Plow Applications  
BACK-UP ALARM Electric, 102 dBA  
BATTERY BOX Steel, with Plastic Cover, 18" Wide, 2-4 Battery Capacity, Mounted Right Side Back of Cab  
BATTERY SYSTEM {Fleetrite} Maintenance-Free, (3) 12-Volt 1980CCA Total, Top Threaded Stud  
BODY BUILDER WIRING Back of Day Cab at Left Frame or Under Sleeper, Extended or Crew Cab at Left Frame; Includes Sealed Connectors for Tail/Amber Turn/Marker/ Backup/Accessory Power/Ground and Sealed Connector for Stop/Turn  
2-WAY RADIO Wiring Effects; Wiring with 20 Amp Fuse Protection, Includes Ignition Wire with 5 Amp Fuse, Wire Ends Heat Shrink and Routed to Center of Header Console in Cab  
CIRCUIT BREAKERS Manual-Reset (Main Panel) SAE Type III with Trip Indicators, Replaces All Fuses  
CIGAR LIGHTER Includes Ash Cup  
CLEARANCE/MARKER LIGHTS (5) {Truck Lite} Amber LED Lights, Flush Mounted on Cab or Sunshade  
HEADLIGHTS Halogen  
HEADLIGHTS ON W/WIPERS Headlights Will Automatically Turn on if Windshield Wipers are turned on  
HORN, AIR Single Trumpet, Black, with Lanyard Pull Cord  
HORN, ELECTRIC Disc Style  
INDICATOR, LOW COOLANT LEVEL with Audible Alarm  
RADIO AM/FM/WB/Clock/USB Input/Auxiliary Input  
SOLENOID, AIR for Customer Use; Provides (6) Normally Closed Pilot Air Source, Approx. 4 CFM, Includes Latched Switch in Cab; Air Available Only with Key in "Ignition" or "Accessory" Position; Air Will Exhaust with Key in "Off" Position  
SPEAKERS (2) 6.5" Dual Cone Mounted in Doors  
STARTING MOTOR {Delco Remy 38MT Type 300} 12 Volt, Less Thermal Over-Crank Protection  
SWITCH, TOGGLE, FOR WORK LIGHT Lighted; on Instrument Panel and Wiring Effects for Customer Furnished Back of Cab Light  
TEST EXTERIOR LIGHTS Pre-Trip Inspection will Cycle all Exterior Lamps Except Back-up Lights  
TRAILER CONNECTION SOCKET {Phillips} 7-Way, Mounted at Rear of Frame, Wired for Turn Signals Independent of Stop, Compatible with Trailers with Amber or Side Turn Lamps  
TURN SIGNALS, FRONT Dual Face, LED, Amber/Red, Mounted on Top of Fender, Used with Standard Flush Mounted Front Turn Signal, Side Marker Lamps, Parking Lights and Reflectors  
WINDSHIELD WIPER SPD CONTROL Force Wipers to Slowest Intermittent Speed When Park Brake Set and Wipers Left on for a Predetermined Time

### FRONT END

---

FRONT END Tilting, Fiberglass, with Three Piece Construction, for WorkStar/HV

## Vehicle Specifications

### Description

BUG SCREEN Mounted Behind Grille  
GRILLE Stationary, Chrome  
INSULATION, SPLASH PANELS for Sound Abatement  
INSULATION, UNDER HOOD for Sound Abatement  
LOGOS EXTERIOR Model Badges  
LOGOS EXTERIOR, ENGINE Badges

### SPEEDOMETER, TOOLS, MISC

---

FIRE EXTINGUISHER BRACKET Mounted Left Side Driver Seat  
PAINT SCHEMATIC, PT-1 Single Color, Design 100  
Includes  
: PAINT SCHEMATIC ID LETTERS "WK"  
PAINT TYPE Base Coat/Clear Coat, 1-2 Tone  
PROMOTIONAL PACKAGE Government Silver Package  
SAFETY TRIANGLES

### FUEL TANKS

---

FUEL TANK Top Draw, Non-Polished Aluminum, D-Style, 19" Tank Depth, 50 US Gal (189L), Mounted Left Side, Under Cab  
DEF TANK 7 US Gal (26L) Capacity, Frame Mounted Outside Left Rail, Under Cab  
FUEL/WATER SEPARATOR {Racor 400 Series} 12 VDC Electric Heater, Includes Pre-Heater, with Primer Pump, Includes Water-in-Fuel Sensor, Mounted on Engine

### WHEELS, TIRES - FRONT

---

WHEELS, FRONT {Accuride 41730} DISC; 22.5x9.00 Rims, Standard Polish Aluminum, 10-Stud, 285.75mm BC, Hub-Piloted, Flanged Nut, with Steel Hubs  
(2) TIRE, FRONT 315/80R22.5 Load Range L HAU 3 WT (CONTINENTAL), 480 rev/mile, 68 MPH, All-Position

### WHEELS, TIRES - REAR

---

WHEELS, REAR {Accuride 42644} DUAL DISC; 22.5x8.25 Rims, Standard Polish Aluminum, 10-Stud, 285.75mm BC, Hub-Piloted, Flanged Nut, with Steel Hubs  
(8) TIRE, REAR 11R22.5 Load Range H HDO (CONTINENTAL), 490 rev/mile, 68 MPH, Drive

### BODY INTEGRATION

---

BDY INTG, REMOTE POWER MODULE Mounted Inside Cab Behind Driver Seat, Up to 6 Outputs & 6 Inputs, Max 20 amp per Channel, Max 80 amp Total; Includes 1 Switch Pack with Latched Switches

### **Services Section:**

### WARRANTY

---

WARRANTY Standard for HV507, HV50B, HV607 Models, Effective with Vehicles Built July 1, 2017 or Later, CTS-2025A  
SRV CONTRACT, EXT CMS ENG/AFTR {Cummins} To 72-Month/150,000 Miles (240,000 km), Extended Cummins L9 Engine Coverage, Protection Plan 1 and Aftertreatment, (Truck Application Only)

### **Body/Allied Equipment**

#### Description

PKG

### **Goods Purchased**

#### Description



Tandem axle equipment package

Options: Plow blade RSP1136 full trip  
Rear View Camera  
8 inch wood side boards painted  
Barn door side swing combo

### Snow Plow Hitch

Reversing Cylinder Style: **Top mount reversing cylinders**  
Plow Portion Hitch: **Plow portion not included, existing plow**  
Hitch, Truck Portion: **Pin hitch, low profile, 30.5"**  
Bumper to Frame Mounting Kit: **No, upfitter supplied mounting**  
Hydraulic Lift Cylinder: **4" x 2" x 10" Double Acting Nitrided Lift Cylinder**  
High Pressure QD System: **No High Pressure QD System**  
Custom Options: **Note Custom Details Below**  
Option 1 Description: **LOW PRO MANUAL TILIT HITCH ILO STD LOW PRO**  
Option 2 Description: **TCM PICK: PIN HITCH, MAN TILT, 30.5, LOW**  
Option 3 Description:

### HPI MarkE

COUNTRY/LANGUAGE: **USA/ENGLISH**  
FAMILY: **MARK E, CLASSIC**  
FLOOR LENGTH: **14' FLOOR LENGTH**  
SIDE HEIGHT: **30" SIDE HEIGHT**  
BODY MATERIAL (SIDES/HEADSHEET): **10GA 201SS SIDES/HEADSHEET**  
SIDE BRACES: **NO SIDE BRACES**  
TOP RAIL/RUB RAIL MATERIAL: **10GA 201SS TOP & RUB RAILS**  
REAR BOLSTER HEIGHT: **8" BOLSTER, 2-1/8" POCKETS**  
REAR BOLSTER MATERIAL: **7GA 201SS REAR BOLSTERS**  
FRONT BOLSTER: **NO FRONT BOLSTERS**  
FLOOR MATERIAL: **3/16" AR400 FLOOR**  
HOIST TYPE: **TRN MT HOIST, INTERNAL DH, DA**  
CYLINDER MODEL: **CS/G4, DBL ACT, 2YR SALT WTY\***  
HOIST MOUNT TYPE: **STANDARD WIDTH CRADLE**  
INSTALL HOIST & CRADLE: **UPFITTER INSTALLED H&C**  
LONGSILLS: **8" I-BEAM LONGSILLS, SKIP WELD**  
BODY HINGE MAINTENANCE: **GREASELESS BUSHINGS**  
TAILGATE STYLE: **CONFIGURABLE STANDARD TAILGATE**  
TAILGATE SHEET MATERIAL: **10GA 201SS TAILGATE SHEET**  
TAILGATE LINER: **NO TAILGATE LINER**  
COAL CHUTE: **NO COAL CHUTE**

TAILGATE BRACE: 1 HORIZONTAL TAILGATE BRACE  
TAILGATE LIFT STYLE/LOCATION: FORMED LIFT LOOP, TOP BRACE  
TAILGATE RELEASE & CONTROL: AIR TRIP, SS BUSHING, TG RELEASE  
TAILGATE HINGE: STD, 1-1/4" PIN, 1" PLT  
TAILGATE CHAINS: ZINC TAILGATE CHAINS  
HORIZONTAL J-HOOKS: NO HORIZONTAL J-HOOKS  
TAILGATE PIN LANYARDS: NO TAILGATE PIN LANYARDS  
TAILGATE AIR VALVE: UPFITTER SUPPLIED TAILGATE AIR VALVE  
LUBRICATION: GREASELESS PINS, JAWS, & SHAFT  
CABSHIELD STYLE/WIDTH/OVERHANG: WELD-ON, 22"x86", NO TARP SHROUD  
CABSHIELD MATERIAL: 201SS, 10GA PANEL, 7GA ENDS  
CABSHIELD INSTALLATION: CABSHIELD SHIPS LOOSE  
CABSHIELD OFFSET: OFFSET NOT APPLICABLE  
CABSHIELD LIGHTING: NO CABSHIELD LIGHTS  
ASPHALT LIP: NO ASPHALT LIP  
SIDE BOARDS: MID POINT BOARD BRACE ONLY  
SIDE LADDER LOCATION: NO LADDER  
SIDE LADDER TYPE: NO LADDER  
INTERIOR STEPS: NO INTERIOR STEPS  
RUB RAIL LIGHTING: NO RUB RAIL LIGHTING  
REAR BOLSTER MARKER LIGHTING: 2.5" RED REAR BLSTR LIGHT  
REAR FACING REAR BOLSTER LIGHT: CUSTOM REAR FACING LIGHT  
CUSTOM REAR LIGHTING: INSTALL WHELEN LIGHT BOXES IN REAR BOLSTER  
LIGHTING ADD ONS: NO BOLT-ON LIGHT BOX  
LIGHTING PACKAGE: UPFITTER SUPPLIED LIGHT PACK  
PWS TANKS: NO PREWET TANKS  
PREWET PREP: NO PREWET BOX BRACKET  
WALK RAILS: NO WALK RAILS  
TARP RAILS: NO TARP RAILS  
VIBRATOR LOCATION: NO VIBRATOR  
TGS INSTALLATION: NO FACTORY INSTALLED TGS  
TGS INTEGRATION: NO TGS SPILL SHIELDS  
TGS/ASPHALT LIP MOUNT HOLES: NO MOUNT HOLES IN BOLSTER  
FINISH PREP: WASH & PRIME MILD PARTS ONLY  
PAINT/FINISH: NO FINISH  
NOTE 1:: NO ADDITIONAL CUSTOM OPTIONS  
NOTE 2:: NO ADDITIONAL CUSTOM OPTIONS  
NOTE 3:: NO ADDITIONAL CUSTOM OPTIONS  
NOTE 4: NO ADDITIONAL CUSTOM OPTIONS  
NOTE 5: NO ADDITIONAL CUSTOM OPTIONS  
NOTE 6: NO ADDITIONAL CUSTOM OPTIONS  
NOTE 7: NO ADDITIONAL CUSTOM OPTIONS  
NOTE 8: NO ADDITIONAL CUSTOM OPTIONS

FSH salt / sand spreader

Spreader Model: FSH-II Salt/Sand Spreader  
Hopper length: 14'

Hopper material: 201SS - 10 GA sides/ends, 7 GA sills/floor  
Capacity: FSH-II 56" (9.7 CY) w/ formed chain shields standard  
Conveyor: Pintle chain, 1/4" x 1 1/2" crossbars  
Gearcase: 50:1 ratio, 1.5" shaft, 8 tooth sprockets  
Chute type: Standard Dump Over Chute Same Material as Hopper  
Spinner disk: Standard disk with Stainless Vanes  
Install inverted vee: No or N/A  
Hold down kits: Dump body kit w/ ratchet straps  
Trunnion latch for tailgate: Trunnion latch, Mild Channel (loose "SL")

#### **PWS liquid pre-wetting system**

Power Source: Hydraulic Powered Pump  
Application: V-box spreader  
Product Size: Full Size V-Box 14FT Long or Longer  
Control Box: No Valve, Hydraulic Powered Pump and Flow Meter  
Pump: Standard 4.1 GPM Bronze Gear Pump  
Console: None-Deduct PWSH-I Console  
Tank Size: (2) 200 Gal Poly Tanks w/plumb & HW Requires 24" Bracing  
Spray Assembly: Std Variable Displacement Nozzle Assembly  
Prewet Installed: Installation on FSH  
Mounting Hardware: 304SS frame mount hardware for FSH

#### **Installation Workup**

Facility: IDC-OH  
Chassis Delivery To Henderson: Truck Dealer/Customer Delivers  
Completed Truck Delivery Method: Drive-Away Service  
Completed Truck Delivery Method Notes: DELIVER COMPLETED TRUCK TO ALLEGIANCE  
Chassis Make: International  
Chassis Model Yr: 2022  
Chassis Model: HV507 6X4  
Useable CA/CT: 112  
Pump Location: Transmission Mount Pump

Hitch Type: Low Profile or Manual Tilt Type Hitch  
Mount Type: Cheek Plate Mount Kit (Select type below)  
Mount Kit Model (Req'd): Low Pro/MT Ck Plt Kit (No Wng, 34"w Full Frame)  
Front Bumper: OEM Bumper Cut and Split

Dump Body Type: Mark E Tandem Axle  
Floor Length: 14ft Floor Length  
Hoist Type: Tele Trunnion Hoist, Internal Doghouse  
Cylinder Type: Double Acting  
Body Material (Sides/ends): Stainless Steel Type Body Material  
Tailgate Release Type: IDC Supplied manual air over air valve  
Pressure Protection Valve: Direct to air tank valve (Int, Mack & Volvo)

Cabshield Install: Supl'd by fact, welded to body @ IDC, sales to order w/ unit  
Sideboards: Wood (Un-Painted), supplied/installed by IDC  
Sideboard Spec: 2in. X 12in. SIDEBARDS 164060 X2

**Sideboard Notes:**

Tarp Brand: Job Specific Tarp  
Tarp Spec: PIONEER EDD1500DA/S-1 W/ASPHALT TARP 177205  
Body Install Options 1: YELLOW AND BLACK REFLECTIVE TAPE ON BODY PROP

**Body Spec Notes:**

Spreader Type: FSH  
FSH Drive Type: Hydraulic  
FSH Mount Type: Slip in Mount  
Slip in Tie Downs: Factory Hold down kit (Sales to order with unit)  
Trunnion Latch: Install Fact Sup'ld Trun Latch Bar, sales to order with unit  
FSH Spinner Configuration: Standard Spinner install  
HYD QD Mount Brackets: Stainless Steel QD Mount in front of dump body bolster

Prewet/Liquid System: V-box Prewet System  
System Type: FSH  
Tank Configuration: Factory Supplied/Installed (Sales to order w/unit)  
Drive Configuration: Hydraulic Drive, Factory Installed (Sales to order w/unit)  
Controls: Supplied by IDC (sales to order w/ hyd cntrls)

**Liquid Details:**

Chassis Accessories: Yes (SELECT RELATED OPTIONS BELOW)  
Mudflaps (Rear): Frame Mounted w/Logo  
Mudflap Type (Rear): Frame Mounted, SS (w/Logo)  
Mudflaps (Front): Frame Mounted w/Logo  
Mudflap Type (Front): Frame Mntd, Rubber, SS w/anti-sail brackets W/Logo  
Pintle Plate: Yes (select from options below)  
Pintle Plate Configuration: 3/4" Plate, BP200 Holes, SA w/SubFrm (w/3LTC)  
Pintle Plate D-Rings: Qty (2) 1" D-rings, 50 deg bend  
Pintle Hook: 25 Ton, Swivel Type  
Glad Hands: Glads, Swing, 90 deg, Serv & Emerg, built in dust covers, Pr  
Trailer Plug (1): 7 Pin Trailer Plug, Round, Alum  
Truck Wash: Complete Truck Wash/Clean/Vac 1  
Warranty: Standard 1 Year Warranty  
Install Touch-up: Basic Installation Touch-Up

Electrical: Yes (SELECT RELATED OPTIONS BELOW)  
Power Distribution Panel: Power Distribution Panel  
Misc Electrical Supplies: Req'd Misc Elect Supplies  
Plow Lights: Job specific plow light kit

Plow Lights Spec: ECCO EW4010 HEATED PLOW LIGHT KIT 157428 X1  
Plow Light Brackets: Plow Lt Brckts, SS, Mnt to Fact Hood Mnt Mirror, INTL, Pair  
Rear Dump Bolster (S/T/T): Factory Supplied light kit (sales to order with unit)  
Back up alarm: Relocate chassis supplied b/u alarm (verify if incl w/ OEM)  
Body up switch/light: Body UP Switch/Body Up Light (Trucklite)  
License Plate Lights: IDC Supplied License Plate Light Gray Housing  
Backbone & Wire Standoffs: 14' Backbone (For TA)  
IDC Light Package: Job Specific  
Custom Light Package \$: WHELEN LIGHT KIT 177212 X1, 177213 X1, 177214 X1,  
164537 X1  
GPS System: Included in Hydraulic Package  
Electrical Install Opt 1: ECCO EW2431 WORK LIGHTS 177211 X2  
Electrical Install Opt 2: SIDE MARKER LIGHTS 259104 X2, 74467G X2, 259015 X2,  
160190X2

**Electrical Spec Notes:**

WORK LIGHT LOCATIONS:

1. REAR OF BODY - DRIVER'S SIDE MOUNTED TO REAR MUDDLAPS
2. REAR OF BODY - PASS SIDE MOUNTED TO REAR MUDDLAPS

**Hydraulics: Full Hydraulic Package**

Hyd Supplier: Other (Note pkg below)

Hyd Supplier (Spec): INSTALL CUSTOMER SUPPLIED REXROTH HYDRAULICS

PTO Type: Included in Hydraulics Package

Reservoir Type: Supplied With Equipment

Reservoir Spec:

Valve Enclosure Type: Supplied With Hydraulics

Low Oil Shut Down: Yes, included in Hyd Pkg

Low Oil Indicator: Yes, included in Hyd Pkg

Return Filter: Provided with Hydraulics

SS Tubing Upgrade: TA, F&R lines, 6' Frnt, 9' Rr

Quick Coupler Upgrade: Stainless Steel Quick Couplers

Front Plow Lift Q-Coup Upg: (2PR) Frnt Plow Lift Q-Coupler

Front Plow Rev Q-Coup Upg: (2PR) Frnt Plow Rev Q-Coupler

Wing Toe Q-Coup Upg: Not Required

Wing Heel Q-Coup Upg: Not Required

Spinner Q-Coup Upg: (2PR) Spinner Q-Coupler (1S)

Auger Q-Coupler Upg: (2PR) Auger Q-Coupler

Prewet Q-Coupler Upg: (1PR) Prewet Q-Coupler

Anti-Ice Coupler Upg: Not Required

**Hydraulics Notes:**